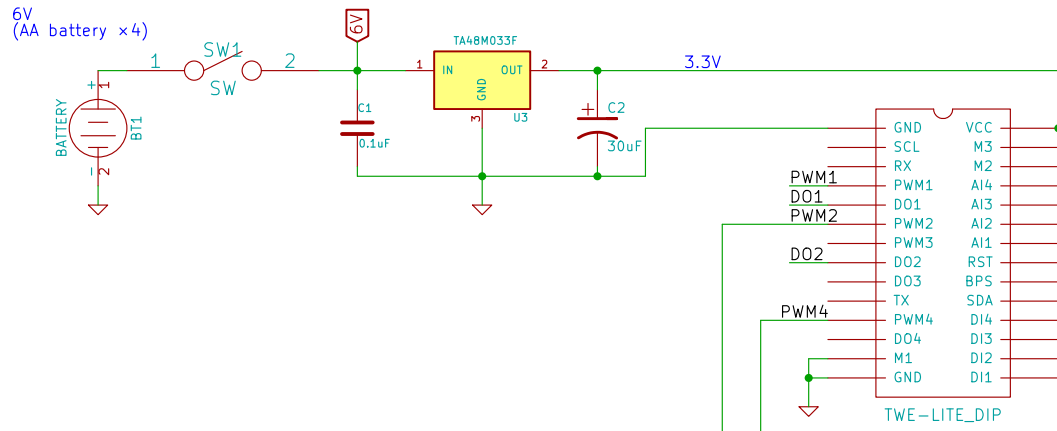
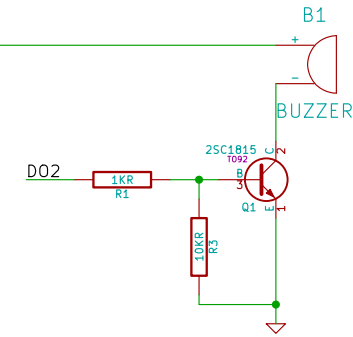


Regulator (3.3V)

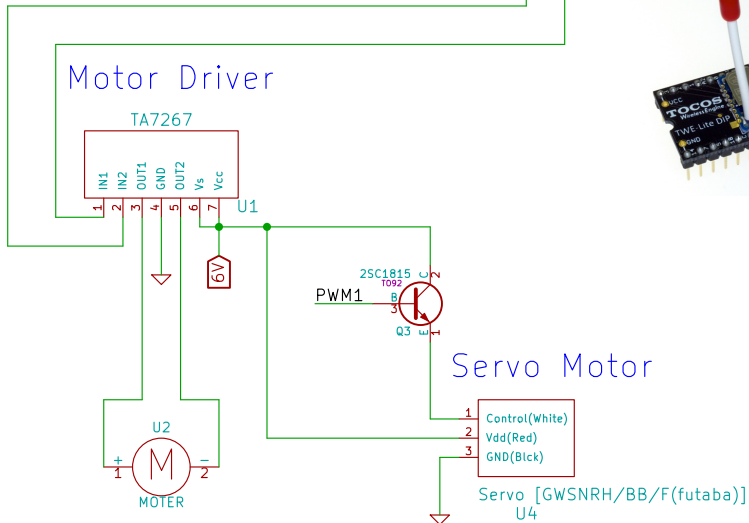
TWE-Lite DIP



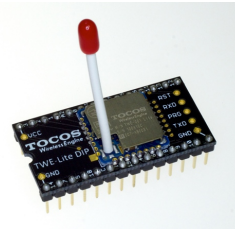
Buzzer (3V)



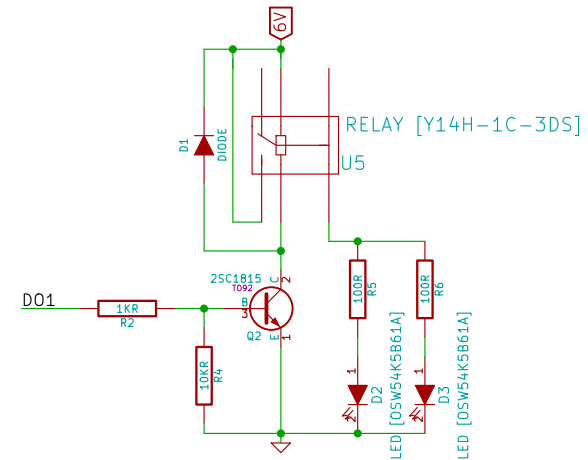
Motor Driver



Servo Motor



LED



TOCOS		
File: RC_CAR_demo_v03.sch		
Sheet: /		
Title: RC CAR demo		
Size: A4	Date: 19 aug 2015	Rev: 02
KiCad E.D.A.		Id: 1/1